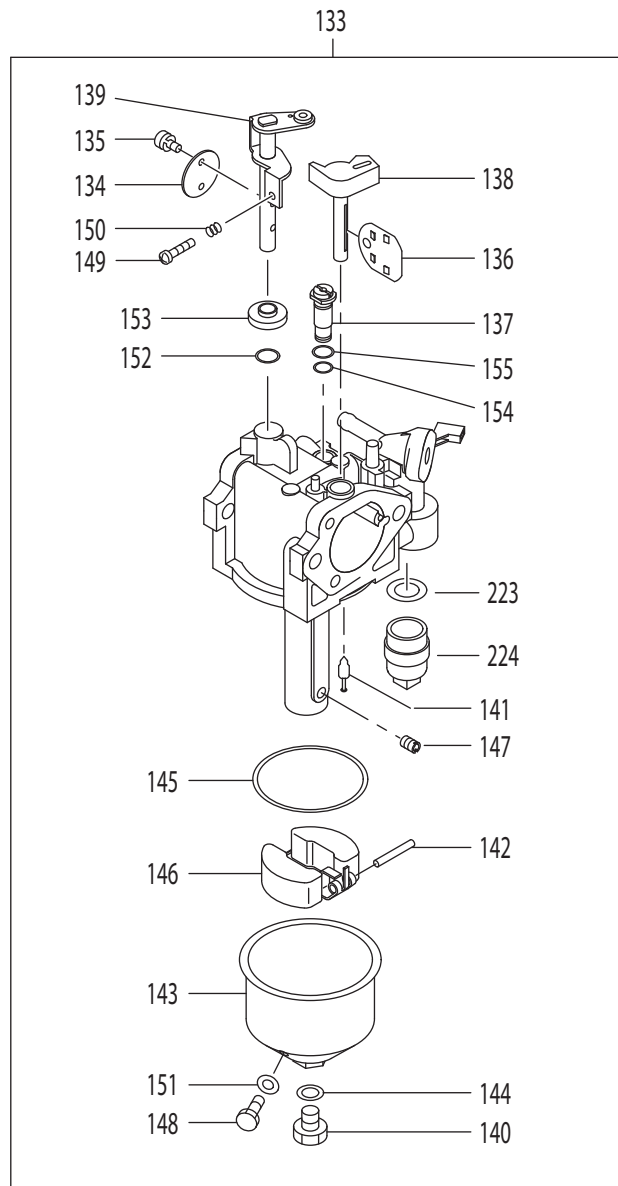
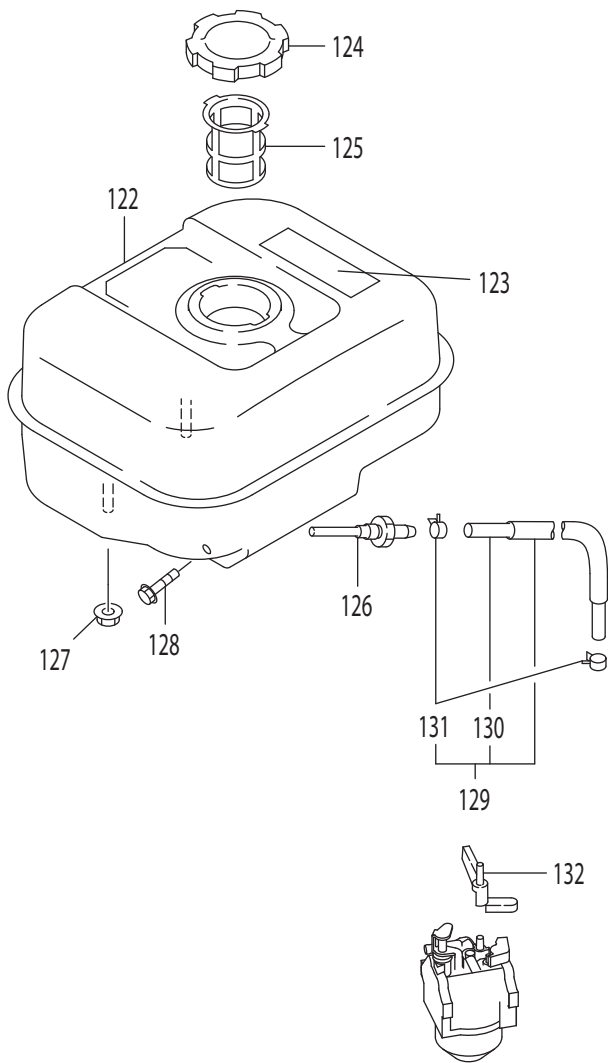
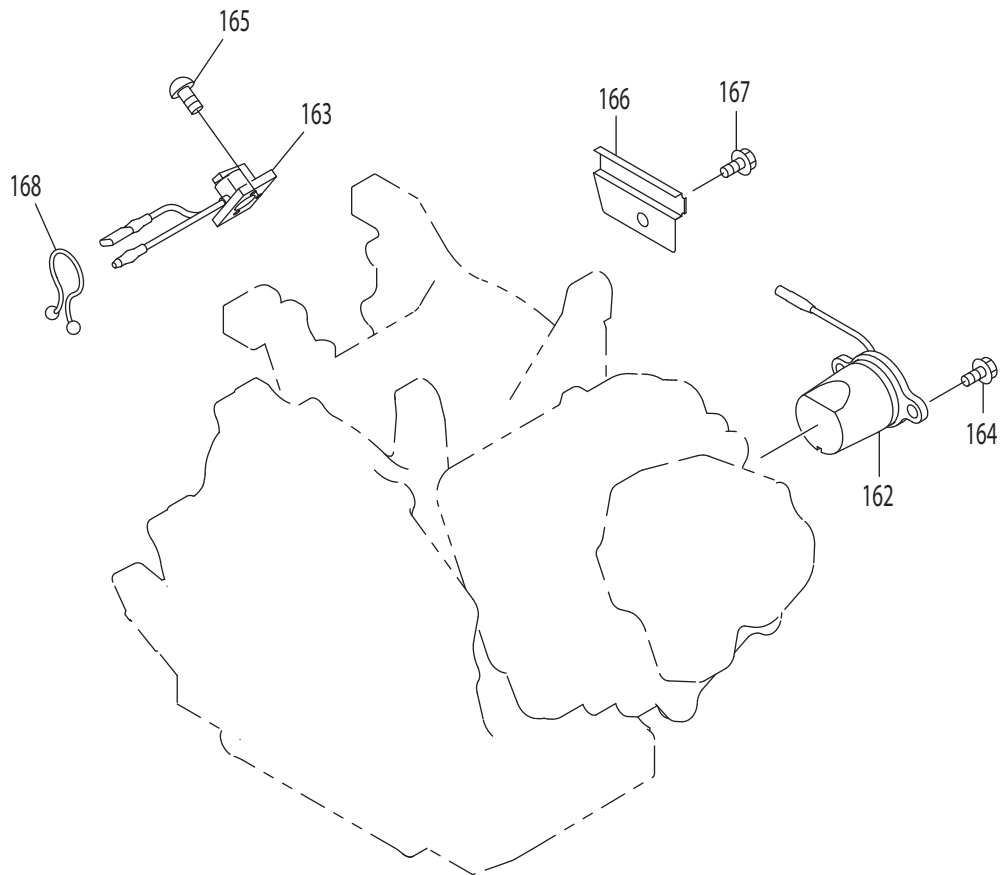
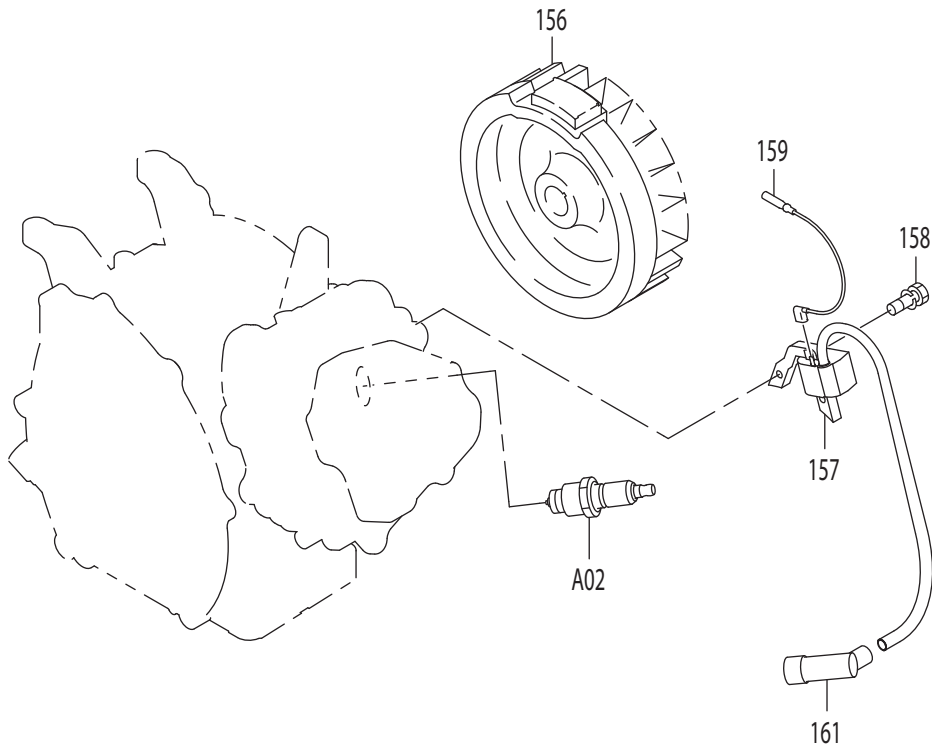
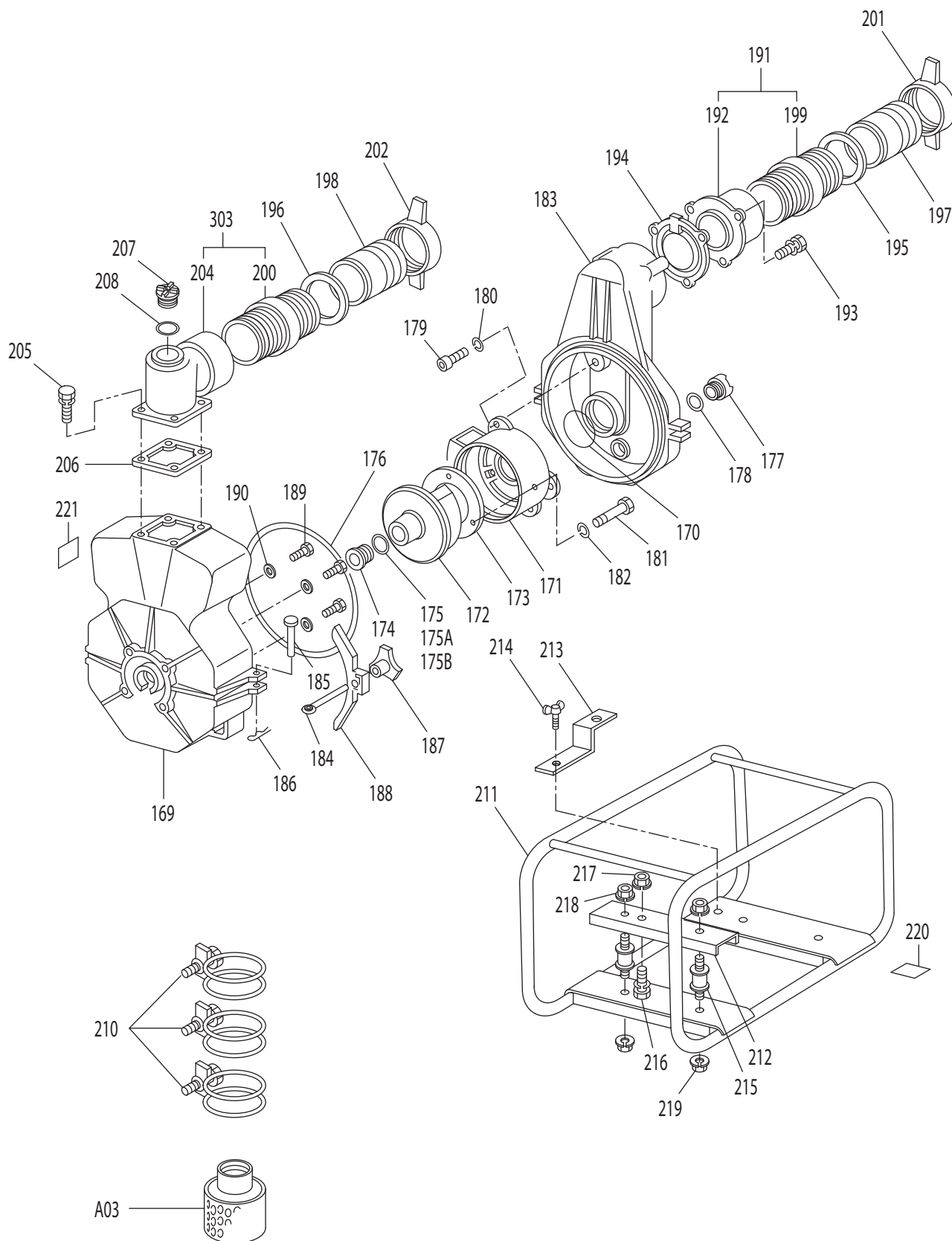


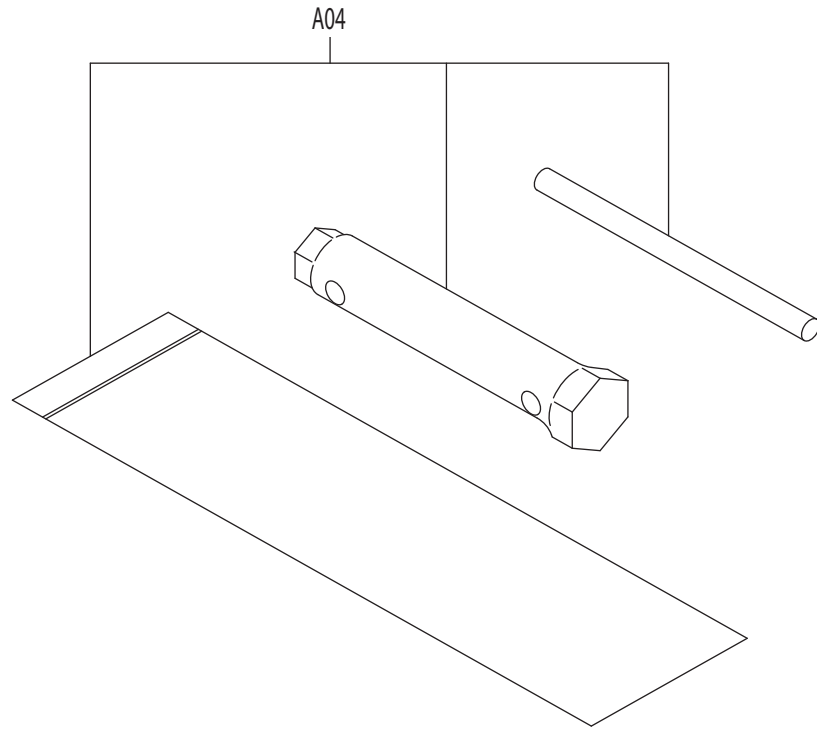
5 EW320R - COOLING







8 EW320R - PUMP



Item No	Type	Ref	Part No	Description	Qty	Unit
1	1		279-10102-51	CRANK CASE COMPLETE	1	PC.
		INC.		Item No. 4-6,9		
	2		279-10106-01	CRANK CASE COMPLETE	1	PC.
		INC.		Item No. 4-6,9		
2			237-14202-03	VALVE GUIDE	2	PC.
3			277-16010-01	STEM SEAL	1	PC.
4			044-03001-60	OIL SEAL 30DX45DX7B	1	PC.
5			060-03003-41	BALL BEARING 6206 30DX62DX16B	1	PC.
6			277-15011-03	PIPE KNOCK 10.3DX8.5DX14L	2	PC.
7			010-50802-50	STUD	2	PC.
8			010-50604-10	STUD M6X1.0X107L	2	PC.
9			044-00600-20	OIL SEAL 6DX10DX2.5B	1	PC.
10			040-11400-30	PLUG	2	PC.
11			021-11400-20	GASKET	2	PC.
12	1		279-11101-21	MAIN BEARING COVER CP - N/L/A	1	PC.
		INC.		Item No. 13,14		
	2		279-11101-31	MAIN BEARING COVER CP	1	PC.
		INC.		Item No. 13,14		
13			044-03001-60	OIL SEAL 30DX45DX7B	1	PC.
14			060-03003-70	BALL BEARING 6206 30DX62DX16B	1	PC.
15	1		277-45004-H1	GOVERNOR GEAR COM - N/L/A	1	PC.
	2		277-45004-J1	GOVERNOR GEAR CP	1	PC.
	3		277-45004-K1	GOVERNOR GEAR COM.	1	PC.
16	1		277-41901-03	GOVERNOR SLEEVE - N/L/A	1	PC.
	2		277-41902-01	GOVERNOR SLEEVE COM	1	PC.
17	1		279-63601-13	* OIL GAUGE	2	PC.
	2		279-63601-03	* OIL GAUGE	2	PC.
	3		279-63601-23	* OIL GAUGE	2	PC.
18	1		021-32000-50	* GASKET	2	PC.
	2		279-63601-08	* GASKET	2	PC.
19			001-04083-50	FLANGE BOLT	7	PC.
20			279-13001-21	CYLINDER HEAD CP	1	PC.
		INC.		Item No. 2,3,7,8		
21			279-15001-33	GASKET (HEAD)	1	PC.
22			011-00802-40	FLANGE BOLT M8X1.25X16DX68L	4	PC.
23			011-00803-10	FLANGE BOLT M8X33L	1	PC.
24	1		277-15501-01	LOCKER COVER COMPLETE	1	PC.
	2		277-15503-01	LOCKER COVER COMPLETE	1	PC.
25			277-16001-13	GASKET(ROCKER COVER)T=0.7	1	PC.
26			277-15011-03	PIPE KNOCK 10.3DX8.5DX14L	2	PC.
27			011-00600-20	FLANGE BOLT M6X1.0X14DX12L	4	PC.
28	2		279-99001-07	GASKET SET	1	PC.
		INC.		Item No. 11,18,21,25,68,82,83		
28	3		279-99001-37	GASKET SET	1	PC.
		INC.		Item No. 11,18,21,25,68,82,83		
29			279-20301-41	CRANK SHAFT CP	1	PC.
30			018-01800-10	FLANGE NUT M18X15X31DX14H	1	PC.
31			032-30300-10	WOODRUFF KEY	1	PC.
32			279-22501-30	CONNECTING ROD ASSY	1	PC.
		INC.		Item No. 33		

Item No	Type	Ref	Part No	Description	Qty	Unit
33			279-23001-03	CONNECTING ROD BOLT M7X1X13.8D	2	PC.
34			279-23301-03	PISTON PIN 18DX13DX53L	1	PC.
35			279-23401-H3	PISTON STANDARD	1	PC.
035A			279-23403-H3	PISTON 0.25 OVER SIZE	1	PC.
035B			279-23404-H3	PISTON 0.50 OVER SIZE	1	PC.
36			279-23511-17	PISTON RING SET STANDARD	1	PC.
036A			279-23512-17	PISTON RINGU SET 0.25 OVER SIZE	1	PC.
036B			279-23513-17	PISTON RING SET 0.50 OVER SIZE	1	PC.
37			056-51800-10	CLIP	2	PC.
38			279-31601-01	CAM SHAFT CP	1	PC.
		INC.		Item No. 41-44		
39	1		277-35101-03	PIN(CAM SHAFT)9DX78.5L (Remains available)	1	PC.
	2		277-35101-01	PIN(CAM SHAFT)CP	1	PC.
		INC.	277-35101-03	PIN(CAM SHAFT)9DX78.5L - N/L/A as individually	1	PC.
		INC.		Item No. 40		
40			024-00600-10	O RING 5.8DX9.6D - N/L/A as individually	1	PC.
41			277-38601-03	PIN(SPRING) 4DX8DX9L	1	PC.
42			279-36401-03	RELEASE LEVER	1	PC.
43			277-36501-03	CLIP 13.8DX20.3DX4T	1	PC.
44			277-38701-03	RETURN SPRING	1	PC.
45			279-33601-03	VALVE SPING	2	PC.
46			269-33701-03	SPRING RETAINER	2	PC.
47			279-33401-H3	INTAKE VALVE 28.5DX5.5DX67.8L	1	PC.
48			279-33501-H3	EXHAUST VALVE 26.5DX5.5DX67.8L	1	PC.
49			132-10KA0-31	COLLET VALVE	4	PC.
50	1		279-35601-11	TIMING CHAIN COMPLETE - N/L/A	1	PC.
	2		279-35602-H1	TIMING CHAIN COMPLETE	1	PC.
51			277-36911-03	TENSIONER	1	PC.
52			277-37101-03	SPRING(TENSIONER)	1	PC.
53			277-36902-03	PIN(TENSIONER) 6DX13DX34L	1	PC.
54			277-36913-13	CHAIN GUIDE	1	PC.
55			277-35004-01	PIN(ROCKER) COM.(OLD#277-35002-01 - N/L/A)	1	PC.
		INC.		Item No. 56		
56			003-13050-00	CLIP	1	PC.
57			277-36201-00	LOCKER ARM(INTAKE) ASS'Y	1	PC.
		INC.		Item No. 59,61		
58			277-36202-00	ROCKER ARM(EXHAUST)ASS'Y	1	PC.
		INC.		Item No. 60,62		
59			014-90500-20	ADJUST SCREW M5X23	1	PC.
60			014-90500-20	ADJUST SCREW M5X23	1	PC.
61			017-00500-30	NUT M5	1	PC.
62			017-00500-30	NUT M5	1	PC.
63			011-00600-20	FLANGE BOLT M6X1.0X14DX12L	1	PC.
64	1		279-30111-J1	MUFFLER CP - N/L/A	1	PC.
	2		279-30111-01	MUFFLER CP	1	PC.
65			279-37601-01	SPARK ARRESTOR CP	1	PC.
66			015-00400-60	TAPPING SCREW M4X6L	1	PC.
67	1		279-34201-11	MUFFLER COVER CP	1	PC.
	2		279-34201-31	MUFFLER COVER CP	1	PC.
68			277-35201-13	GASKET(MUFFLER)	1	PC.

Item No	Type	Ref	Part No	Description	Qty	Unit
69			980-20082-80	FLANGE NUT M8	2	PC.
70			015-20600-90	TAPPING BOLT	2	PC.
71			011-00600-10	FLANGE BOLT M6X1.0X14DX8L	1	PC.
72			011-00803-20	FLANGE BOLT	1	PC.
73			277-37203-H1	SCREEN CP	1	PC.
74			015-00400-60	TAPPING SCREW M4X6L	2	PC.
75	1		279-32611-00	AIR CLEANER ASSY	1	PC.
		INC.		Item No. 76-80		
	2		279-32611-30	AIR CLEANER ASSY	1	PC.
		INC.		Item No. 76-80		
76			279-32630-08	CASE	1	PC.
77			279-32650-08	GASKET	1	PC.
78			279-32640-08	COVER	1	PC.
79			279-32730-08	LABEL	1	PC.
80			279-32603-08	ELEMENT	1	PC.
81	1		279-32902-J1	INSULATOR COM.	1	PC.
		INC.		Item No. 82,83		
	2		279-32902-H1	INSULATOR COM.	1	PC.
		INC.		Item No. 82,83		
82			279-35903-J3	GASKET2(INSULATOR)	1	PC.
83			279-35902-J3	GASKET1(INSULATOR)	1	PC.
84			002-38060-00	FLANGE NUT M6	2	PC.
85			001-04062-00	FLANGE BOLT M6X20	1	PC.
86			085-10800-00	RUBBER PIPE(OLD# 279-32760-08 - N/L/A)	1	PC.
87	1		279-42301-23	GOVERNOR LEVER - N/L/A	1	PC.
	2		279-42301-53	GOVERNOR LEVER - N/A	1	PC.
	3		279-42301-63	GOVERNOR LEVER - N/L/A	1	PC.
	4		279-42301-60	GOVERNOR LEVER	1	PC.
		INC.		Item No. 92,93		
88			277-42201-33	GOVERNOR SHAFT	1	PC.
89	1		279-42701-11	GOVERNOR ROD CP	1	PC.
	2		279-42701-23	GOVERNOR ROD	1	PC.
90			277-42801-23	ROD SPRING 7DX.5DX182L N=16	1	PC.
91			003-13050-00	CLIP	1	PC.
92			013-00602-40	BOLT AND WASHER ASS'Y	1	PC.
93			018-60600-20	NUT M6X1.0X4.9H	1	PC.
94	1		279-42502-63	GOVERNOR SPRING	1	PC.
	2		279-42502-73	GOVERNOR SPRING	1	PC.
95			277-43303-03	SPEED CONTROL LEVER	1	PC.
96			277-43502-03	STOP PLATE	1	PC.
97			277-44501-03	WASHER	1	PC.
98			021-70600-70	FRICTION WASHER	1	PC.
99			004-31062-50	SCREW	1	PC.
100			237-45004-23	SPRING(ADJUST)	1	PC.
101			277-46002-02	SPEED CONTROL BRACKET UNIT	1	PC.
102			002-35060-00	SELF LOCK NUT	1	PC.
103			011-00600-20	FLANGE BOLT M6X1.0X14DX12L	2	PC.
104			279-51205-01	BLOWER HOUSING COMPLETE	1	PC.
105			277-91703-03	LABEL(MAKITA)	1	PC.
106			011-00600-30	FLANGE BOLT M6X1.0X14DX14L	4	PC.
107			279-52711-11	BAFFLE 1 (CASE) COMPLETE	1	PC.
108			279-52702-13	BAFFLE2(HEAD)	1	PC.

Item No	Type	Ref	Part No	Description	Qty	Unit
109			001-65081-20	BOLT	1	PC.
110			011-00600-20	FLANGE BOLT M6X1.0X14DX12L	1	PC.
111	1		279-50301-00	RECOIL STARTER ASSY	1	PC.
		INC.		Item No. 112,113,115-120,A01		
	2		279-50301-10	RECOIL STARTER ASSY	1	PC.
		INC.		Item No. 112,113,115-120,A01		
	3		279-50301-20	RECOIL STARTER ASSY	1	PC.
		INC.		Item No. 112,113,115-120,A01		
112			226-50716-08	SPIRAL SPRING	1	PC.
113			277-50121-08	REEL	1	PC.
115			226-50701-08	STARTER KNOB	1	PC.
116			281-50325-08	RATCHET	1	PC.
117			281-50330-08	FRICTION SPRING	1	PC.
118			281-50340-08	FRICTION PLATE	1	PC.
119			279-50148-08	STARTER PULLY	1	PC.
120			281-50351-08	CENTER SCREW	1	PC.
121	1		013-00602-80	BOLT AND WASHER ASSY	4	PC.
	2		013-00602-81	BOLT AND WASHER ASSY	4	PC.
122			279-60105-01	FUEL TANK CP	1	PC.
123			073-20051-81	LABEL(WARNING)	1	PC.
124			043-04400-50	FUEL TANK CAP COMPLETE	1	PC.
125			X64-13600-10	FUEL FILTER	1	PC.
126	1		050-51200-20	UNION - N/L/A	1	PC.
	2		X50-51200-20	UNION	1	PC.
127			002-38080-00	FLANGE NUT	2	PC.
128			011-00802-50	FLANGE BOLT	2	PC.
129			279-62605-J1	FUEL PIPE COMPLETE	1	PC.
		INC.		Item No. 130,131		
130	1		X85-10612-70	RUBBER PIPE(6DX11DX195L)	1	PC.
	2		085-19600-00	RUBBER PIPE(6DX11DX1000L)	1	PC.
131			056-11100-20	HOSE CLAMP 11D	2	PC.
132			277-43801-01	CHOKE LEVER CP	1	PC.
133	1		279-62301-30	CARBURETOR ASSY (Use 279-62361-00 by Robin)	1	PC.
		INC.		Item No. 134-155, 223, 224		
	2		279-62361-00	CARBURETOR ASSY	1	PC.
		INC.		Item No. 134-155, 223, 224		
134			279-62535-08	THROTTLE VALVE	1	PC.
135			251-62450-08	SCREW	2	PC.
136			279-62525-08	VALVE CHOKE	1	PC.
137			279-62420-08	JET SLOW	1	PC.
138			279-62520-08	SHAFT CHOKE	1	PC.
139			279-62530-08	SHAFT SUB ASSEMBLY(THROTTLE)	1	PC.
140			251-62453-08	SCREW	1	PC.
141			279-62500-08	VALVE ASSEMBLYNEEDLE	1	PC.
142			279-62515-08	PIN FLOAT LEVER	1	PC.
143			285-62550-08	FLOAT CHAMBER SUB ASSY	1	PC.
144			251-62350-08	GASKET	1	PC.
145			279-62540-08	GASKET CHAMBER	1	PC.
146			279-62505-08	FLOAT SUB ASSEMBLY	1	PC.
147			279-62400-08	JET MAIN	1	PC.

Item No	Type	Ref	Part No	Description	Qty	Unit
148			285-62551-08	DRAIN SCREW	1	PC.
149			279-62353-18	SCREW ADJUSTING	1	PC.
150			279-62445-08	SPRING	1	PC.
151			285-62552-08	GASKET	1	PC.
152			279-62561-08	BUSH	1	PC.
153			279-62562-08	COLLAR	1	PC.
154			279-62451-08	O-RING	1	PC.
155			279-62452-08	O-RING	1	PC.
156			279-79230-01	FLYWHEEL COMPLETE	1	PC.
157			279-79430-01	IGNITION COIL COMPLETE	1	PC.
158			001-14062-50	BOLT & WASHER ASS'Y	2	PC.
159			277-73101-H1	WIRE 1 CP	1	PC.
161			065-50002-70	SPARK PLUG CAP	1	PC.
162	1		279-76301-31	OIL SENSOR COMPLETE - N/L/A	1	PC.
	2		279-76301-41	OIL SENSOR CP	1	PC.
	3		279-76301-51	OIL SENSOR CP	1	PC.
163			KU3-11071-01	FLOAT C/U CP5	1	PC.
164			001-14061-60	BOLT & WASHER ASS'Y	2	PC.
165			015-00400-90	TAPPING SCREW 4X10	2	PC.
166			279-75501-03	WIRE CLAMP	1	PC.
167			015-20600-50	TAPPING BOLT	1	PC.
168			056-90000-20	PURSE LOCK ASS'Y	1	PC.
169			481-00001-55	CASING	1	PC.
170			480-08210-20	INNER CASING O RING	1	PC.
171			481-00000-69	INNER CASING	1	PC.
172			480-08210-04	IMPELLER	1	PC.
173			481-00000-70	LINER	1	PC.
174			480-08210-08	MECHANICAL SEAL	1	PC.
175			480-10010-43	SHIM (24.2X20X0.3MM)	1	PC.
175A			480-10010-44	SHIM (24.2X20X0.6MM)	1	PC.
175B			480-10010-45	SHIM (24.2X20X1.0MM)	1	PC.
176			480-08210-17	CASING PACKING	1	PC.
177			480-08210-12	PLUG	1	PC.
178			480-08210-18	O RING	1	PC.
179			481-00001-63	SOCKET HEAD BOLT	3	PC.
180			481-00001-64	SPRING WASHER	3	PC.
181			481-00001-61	SOCKET HEAD BOLT	3	PC.
182			481-00001-62	SPRING WASHER	3	PC.
183			481-00000-68	CASING	1	PC.
184			480-08210-13	COVER BOLT	2	PC.
185			480-08210-14	RIVET	2	PC.
186			480-08210-34	SPRING PIN	2	PC.
187			480-08210-15	KNOB	2	PC.
188			480-08210-16	CASING COVER HOLDER	2	PC.
189			481-00001-44	FLANGE BOLT	4	PC.
190			481-00001-43	WASHER	4	PC.
191			481-00001-69	VALVE CASE ASSY	1	PC.
		INC.		Item No. 192,199		
192			481-00000-71	SUCTION FLANGE (NPT)	1	PC.
193			480-05010-03	BOLT AND WASHER ASS'Y (M10X30)	3	PC.

Item No	Type	Ref	Part No	Description	Qty	Unit
194			481-00000-73	CHECK VALVE	1	PC.
195			480-08010-17	COUPLING PACKING	1	PC.
196			480-08010-17	COUPLING PACKING	1	PC.
197			480-08210-22	NIPPLE	1	PC.
198			480-08210-22	NIPPLE	1	PC.
199			481-00001-67	NIPPLE	1	PC.
200			481-00001-67	NIPPLE	1	PC.
201			480-08210-23	ALUMINUM COUPLING	1	PC.
	Opt.		480-08010-16	COUPLING	1	PC.
202			480-08210-23	ALUMINUM COUPLING	1	PC.
	Opt.		480-08010-16	COUPLING	1	PC.
203			481-00001-68	BEND ASSY	1	PC.
		INC.		Item No. 200,204		
204			481-00000-72	DELIVERY FLANGE (NPT)	1	PC.
205			480-05010-03	BOLT AND WASHER ASS'Y (M10X30)	4	PC.
206			480-08010-20	DELIVERY FLANGE PACKING	1	PC.
207			480-08210-12	PLUG	1	PC.
208			480-08210-18	O RING	1	PC.
210			480-08010-28	HOSE BAND	3	PC.
211			481-00001-57	FRAME	1	PC.
212			481-00001-58	ENGINE BASE	1	PC.
213			480-05210-35	SUPPORT	1	PC.
214			480-05210-36	WING BOLT (M6X15)	1	PC.
215			480-08210-19	CUSHION RUBBER	4	PC.
216			480-10010-30	BOLT	2	PC.
217	1		480-10010-25	FLANGE NUT (M10)	2	PC.
	2		480-10010-24	NUT AND WASHER ASS'Y (M8)	2	PC.
218			480-10010-24	NUT AND WASHER ASS'Y (M8)	4	PC.
219			480-10010-24	NUT AND WASHER ASS'Y (M8)	4	PC.
220			484-00022-03	LABEL(PUMP NAME)	1	PC.
221			480-05210-37	CAUTION PLATE	1	PC.
222			279-65001-03	* FILTER PLUG	1	PC.
223			277-62110-18	PACKING (OLD# 277-62110-00 - N/L/A)	1	PC.
224			277-62100-18	CUP (OLD# 277-62100-08 - N/L/A)	1	PC.

ACCESSORIES

- See catalogue or visit www.makita.ca for more optional accessories -

A01			279-50110-08	STARTER ROPE	1	PC.
A02			065-01402-10	SPARK PLUG (BR6HS)	1	PC.
A03			480-08310-33	STRAINER	1	PC.
A04			277-90301-H0	ACCESSORY TOOL KIT	1	PC.
A05			123043-A	3X20' SUCTION HOSE	1	PC.
A06			781002-A	3" SPANNER WRENCH	1	PC.
A07			123046-A	3X50' DISCHARGE HOSE	1	PC.
A08			110004-D	WHEEL KIT (SEE PARTS BREAKDOWN 110004-D)	1	PC.
A09			123043-A	PVS SUCTION HOSE 3"X20'	1	PC.
			123046-A	PVS DISCHARGE HOSE 3X50'	1	PC.